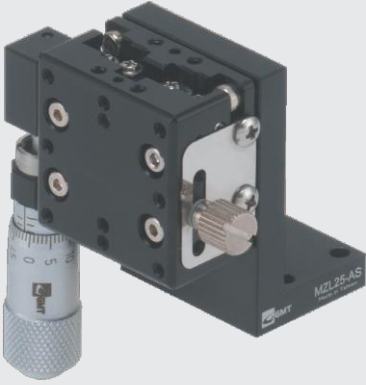


Crossed Roller Guiding ▶ Z-Axis ▶ Aluminum Alloy

Crossed Roller Stages | Z-Axis

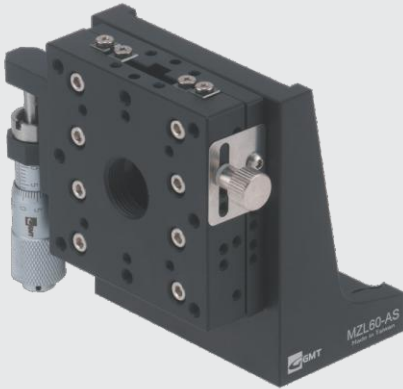
MZL25-AS



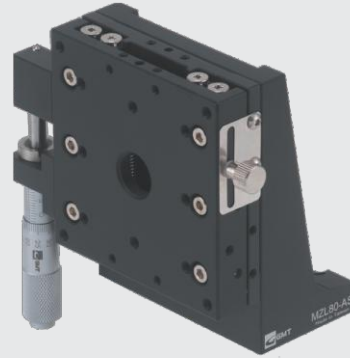
MZL40-AS



MZL60-AS



MZL80-AS



Unit : mm

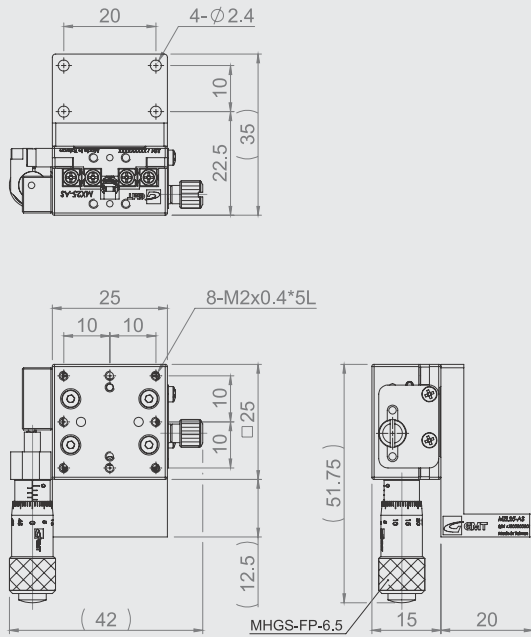
Model No.	Table Size	Travel Distance	Micrometer Minimum (μm)	Movement Accuracy			Allowable Loading (kgf)	Weight (kg)	Material	Surface Finish
				Straightness (μm)	Pitching	Yawing				
MZL25-AS	25*25	±3.2	10	3	30"	20"	0.5	0.06	Aluminum alloy	Black anodized
MZL40-AS	40*40	±6.5			25"	15"	1.0	0.2		
MZL60-AS	60*60				2.0		0.45			
MZL80-AS	80*80	±12.5			5.0	0.8				

★ Brackets spec for Z-axis, refer to P.0195 ~ P.0196

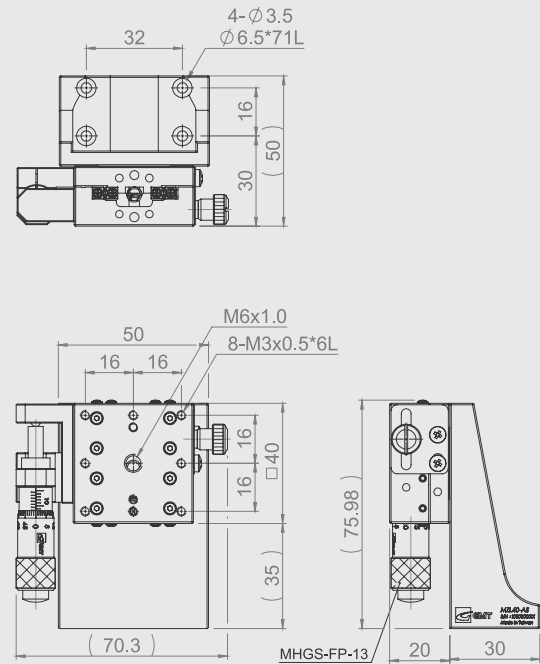
Crossed Roller Guiding ◀ Z-Axis ▶ Aluminum Alloy

Crossed Roller Stages | Z-Axis

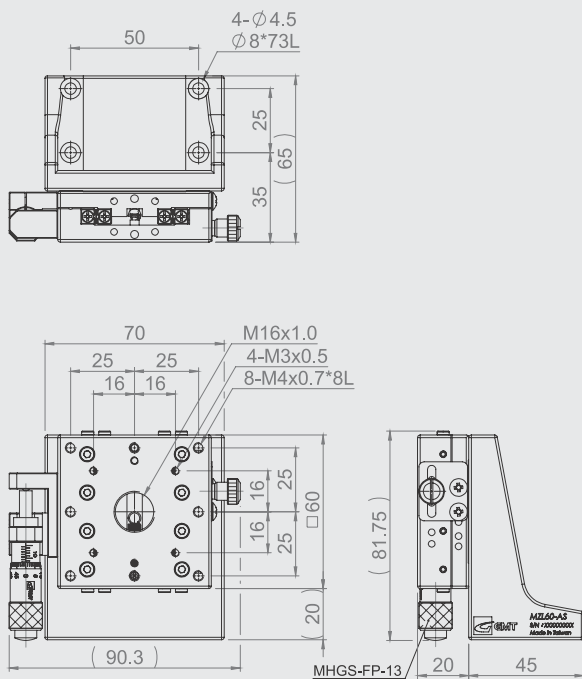
MZL25-AS



MZL40-AS



MZL60-AS



MZL80-AS

